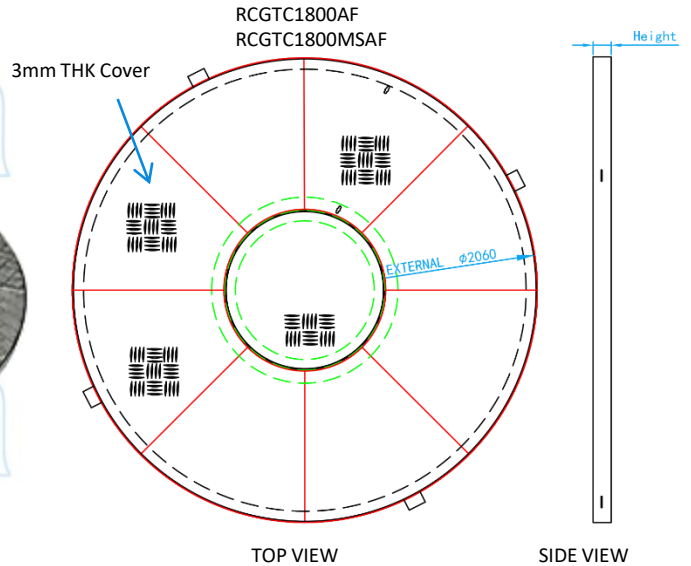
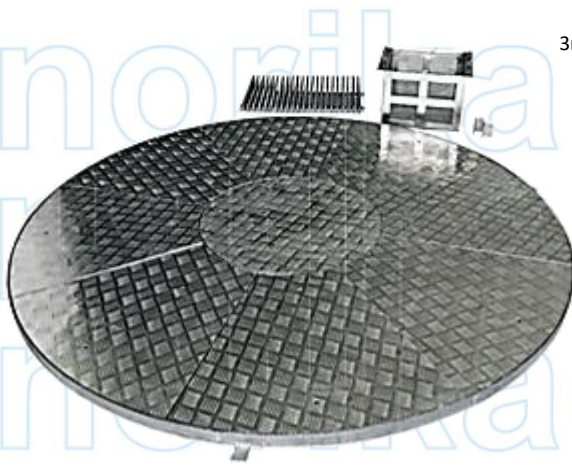
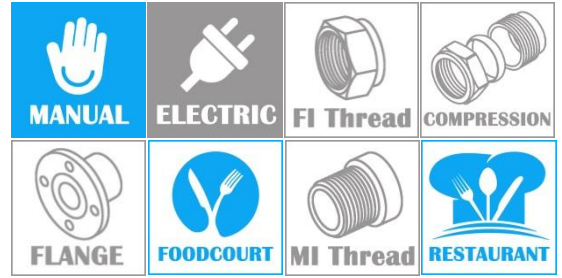
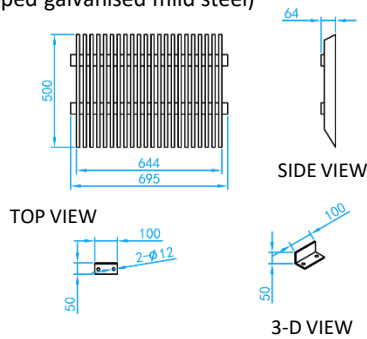


REVERSIBLE GREASE TRAP FRAME & COVER 1800 (CHEQUERED SIDE)

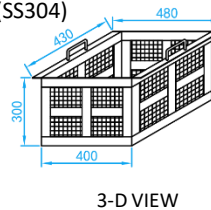
COMPLY WITH GENERAL REQUIREMENTS OF
PUB/WRN/STD/040C



RCGTC1050ASG
(Hot dipped galvanised mild steel)



RCGTC1800ASB
(SS304)



* Available for aluminium and mild steel material

COMPONENT ITEMS FOR FULL SET

NO	STOCK CODE
1	RCGTC1800AF / RCGTC1800MSAF
2	RCGTC1050ASG
3	RCGTC1800ASB

DIMENSIONS

SKU	MATERIAL	EXTERNAL[mm]	HEIGHT [mm]	WEIGHT [kg]
RCGTC1800	Aluminium	$\phi 2060$	50	140
RCGTC1800MS	Mild-Steel	$\phi 2060$	50	250